

Exhibitor Pod

Acord Business Standards

October 24-26, 2017



Exhibitor Pod

MIS structure with counter

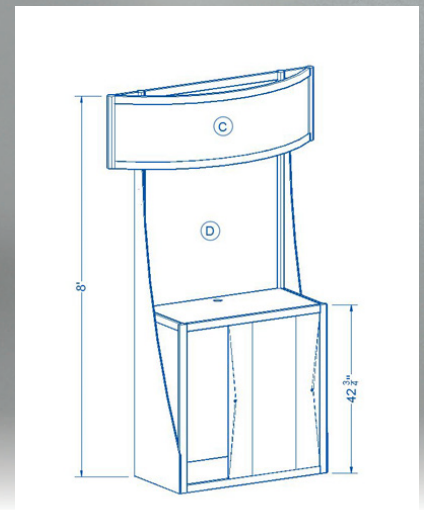
Black Diamond stool

Flat Literature Rack

Exhibitor Graphics

Panel C - 60-5/8" x 15"

Panel D - 38-3/8" x 36-1/2"



Contact Info:
 Artwork and general inquiries can be sent to:
 Chad Robertson
Freeman Senior Client Solutions Manager
 chad.robertson@freemanco.com